

STCH-1023R

OUTDOOR TVI PTZ

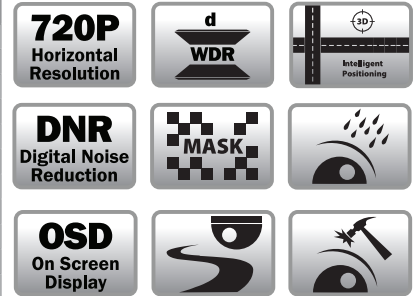


KEY FEATURES

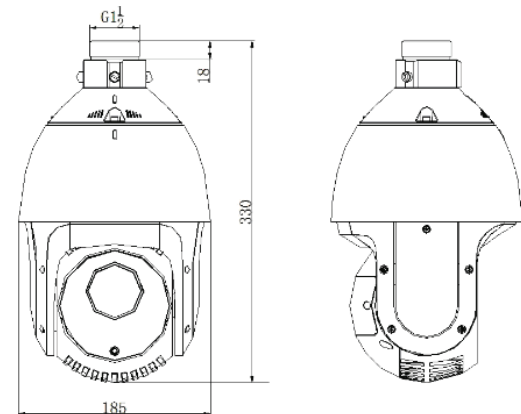
- 1.3MP CMOS Image Sensor
- 720P Video Output
- 23X optical zoom, 16X digital zoom
- Support up the coax function
- Privacy Masking, 3D DNR, dWDR, EIS
- 3D intelligent positioning
- True Day&Night
- 4-inch bubble



SPECIFICATION	STCH-1023R
Camera	
Image Sensor	1 / 3" CMOS
Effective Pixel	1400K
Max. Image Resolution	1280x720
Resolution	50fps(1280x720), 25fps(1280x720)
Min. Illumination	Color: 0.05Lux@(F1.4,AGC ON) ; B/W: 0.005Lux@(F1.4,AGC ON)
White Balance	Auto / Manual / ATW / Indoor / Outdoor
AGC	Auto / Manual
S / N Ratio	>50dB
3D DNR	Support
Digital WDR	Support
EIS	Support
Backlight Compensation	Support
Shutter Time	PAL: 1-1/10,000s
Day & Night	IR Cut Filter
Digital Zoom	16x
Privacy Mask	8 privacy masks programmable; a maximum of 8 zones can be masked simultaneously on the same video screen
Focus Model	Auto / Semiautomatic / Manual
Lens	
Focal Length	4-92mm, 23X
Zoom Speed	Approx.3.0s(Optical Wide-Tele)
Angle of View	49-2.2 degree(Wide-Tele)
Min. Working Distance	10-1000mm (Wide-Tele)
Aperture	F1.4-F3.5
Pan and Tilt	
Pan Range	360° endless
Pan Speed	Pan Manual Speed: 0.1° -400°/s , Pan Preset Speed: 400°/s
Tilt Range	-15°-90°(Auto Flip)
Tilt Speed	Tilt Manual Speed: 0.1°-120°/s , Tilt Preset Speed: 120°/s
Proportional Zoom	Rotation speed can be adjusted automatically according to zoom multiples
Number of Preset	256
Patrol	8 patrols, up to 32 presets per patrol
Pattern	4 patterns, with the total recording time not less than 10 minutes
Power-off Memory	Support
Park Action	Preset / Patrol / Pattern / Pan scan / Tilt scan / Frame Scan / Random scan / Panorama scan
PTZ Position Display	On / Off
Preset Freezing	Support
Scheduled Task	Preset / Patrol / Pattern / Pan scan / Tilt scan / Panorama scan
RS-485 communication diagnosis	Support
Infrared	
IR Distance	150m
IR Intensity	Automatically adjusted,depending on the zoom ratio
Input/ Output	
Turbo HD Output	1 turbo HD720p output, BNC
CVBS Output	1.0V[p-p] / 75Ω, NTSC (or PAL) composite, BNC
Alarm Input / Output	2 / 1
RS-485 Interface	Half-duplex mode, Self-adaptive MAZI, Pelco-P, Pelco-D protocol
UTC function	Self-adaptive PELCO_C, MAZI (need UTC controller)
General	
Menu Language	English
Power	24 VAC, Max.20W
Working Temperature / Humidity	-30 °C-65°C, 90% or less
Protection Level	IP66 standard
	TVS 4,000V lightning protection, surge protection and voltage transient protection
Dimensions	Φ185×330mm
Weight (approx.)	4Kg



DIMENSIONS



Unit:mm