

Item code: 9501-GOLD-TOSCA

Product description: wireless control panel GOLD 869 Series

Main features: The TOSCA wireless control panel GOLD series is provided with 64 wireless inputs and 2 wired inputs, expandable to 7. Compatible with all devices of the GOLD series, indoor and outdoor detectors, magnetic contacts, sirens and remote controls. The communication protocol is digital and operates over two frequencies (5 channels), from 869.40 MHz to 869.65 MHz; the wireless range from the control panel to the peripherals is up to 1,500 m in free air. The safety and reliability of the wireless communication is guaranteed by FH (Frequency Hopping), by TDMA (Time Division Multiple Access), AES (Advanced Encryption Standard) and DES function (Detection Event Stored). The battery life of peripherals is ensured by a sophisticated software that modulates power output transmission between peripheral and control panel depending on the distance of the devices themselves and the obstacles to be overcome. The communication protocol is bidirectional so allowing to know in real time the status of the system. When the programs are disarmed the devices, related to the programs disarmed, are turned off with the exception of the tamper function, allowing a considerable saving of battery life. All devices can be configured through the control panel (PIR sensitivity, microwave range, combinations of detection, etc.). Adding the GPRS/GSM communicator is possible to have a full remote management by the official APP "LinceHOME" downloadable from Play Store and App Store. The system can be programmed with the appropriate software item 9547-GOLD-SOFT, from computer. The WiFi IP board item 9565-GOLD-SOFT-WIFI allows to manage the control panel wirelessly over IP using the GOLDSOFT. The TOSCA GOLD is compliant with EN 50131-1 Grade 2 and is housed in an ABS case - type flame retardant - that can contain a 2.3 Ah lead battery (not included). The installation is simplified thanks to a system of quick coupling for connection to the main power supply network without the need to open the control panel.

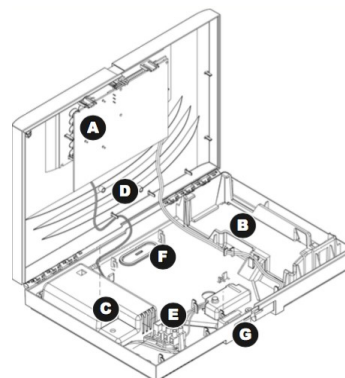
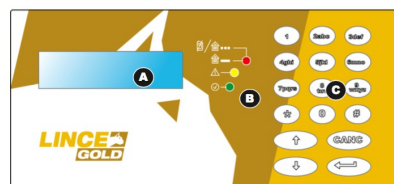


Table 2	
Part	Identification
A	Board
B	Battery compartment 12 V 2.2 Ah
C	Power supply compartment
D	Seat for wired expansion or network card
E	Fuse AC Mains
F	Pre-cut cable routing
G	Anti-tamper micro switch



ISO 45001: 2018
Sistema di gestione per la salute e sicurezza sul lavoro



ISO 9001: 2015
Sistema di gestione della qualità



ISO 14001: 2015
Sistema di gestione ambientale



LINCE ITALIA

Via Variante di Cancelliera, 00072
Ariccia (RM) Italia

Tel.: +39 06 9301801 - Fax: +39 06 930180232

www.lince.net - info@lince.net

MD-03.11 Rev. 8 - Pag.: 1 di 2

SPECIFICATIONS

- Frequency: 869.40 MHz ÷ 869.65 (1 channel) • 868.00 MHz ÷ 868.60 MHz (4 channels)
- FH - Frequency Hopping
- TDMA - Time Division Multiple Access
- AES - Advanced Encryption Standard
- Wireless range: 1,500 m free air
- Wired zones: 2
- Wireless devices: 64 (detectors, sirens, remote controls)
- N.C. Zone 24 h: 1 input
- Output Alarm Relays: 1 (5 A two relaxed states)
- Arming/Disarming Areas: 3
- Arming/Disarming Programs: 7 (combinations of areas)
- External independent Arming/Disarming Area: 1
- Outputs: General Failure (W); system Status (OFF); 4 Free, programmable, open collector, max 80 mA
- Event log: non-volatile memory, 512 events with filter query
- User codes: 32
- Access level of users: Admin, User, Installer
- Power Supply: 230 Vac 50 Hz
- Power Adapter: 13.8 Vdc 2 A
- Display: 16 x 2, blue colour, backlit
- Dimensions: 325 x 215 x 50

COMPATIBILITY NOTES (wireless devices)

- 9502-GOLD-BOBBY-AM and available versions: outdoor volumetric detector
- 9554-GOLD-BOBBY-AM-T and available versions: outdoor curtain detector
- 9503-GOLD-BABY and available versions: outdoor perimetral detector
- 9504-GOLD-DT e and available versions double technology volumetric indoor detector
- 9506-GOLD-DT/Z e and available versions: double technology volumetric indoor ceiling detector
- 9507-GOLD-TP and available versions: magnetic contact
- 9509-GOLD-LESW: wire contact for rolling shutters
- 9510-GOLD-OBLO and available versions: outdoor self-powered siren
- 9511-GOLD-RC: remote controller
- 9584-GOLD-AP: antipanic remote controller
- 9593-GOLD-AP-T: antipanic button
- 9560-GOLD-SAXA: outdoor self-powered siren
- 9557-GOLD-OUT and versions: Wireless output module
- 9551-GOLD-FOG: fogging system
- 9587-GOLD-AG: anti-flooding detector

COMPATIBILITY NOTES (wired devices on BUS)

- 9572-GOLD-GSM-EN: GSM board with plug for control panel
- 9579-GOLD-GPRS: GSM/GPRS board with plug for control panel
- 4005EUROPLUS/IN: expansion board
- 4131CONTACTLESS and available versions: wire inserter
- 4157EUROPLUS-INS: transponder inserter
- 9573-GOLD-TCH-EN: keyboard with LCD touch display

AVAILABLE ACCESSORIES

- **474LI2,3-12**: lead battery 12 V 2.3 Ah



ISO 45001: 2018
Sistema di gestione per la salute e sicurezza sul lavoro



ISO 9001: 2015
Sistema di gestione della qualità



ISO 14001: 2015
Sistema di gestione ambientale



LINCE ITALIA

Via Variante di Cancelliera, 00072
Ariccia (RM) Italia

Tel.: +39 06 9301801 - Fax: +39 06 930180232

www.lincedata.net - info@lincedata.net

MD-03.11 Rev. 8 - Pag.: 2 di 2