

SICH-2030

NETWORK MEGA PTZ



KEY FEATURES

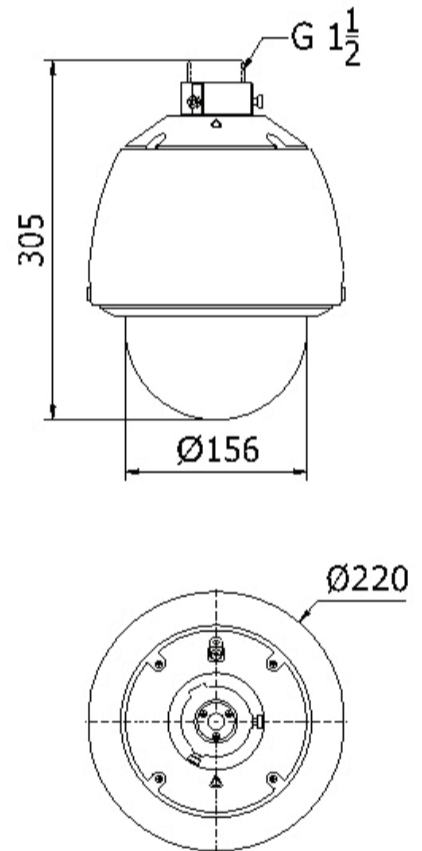
- High performance CMOS, up to 1920x1080 resolution
- 30x Optical zoom and 12x Digital zoom
- Auto iris, auto focus, auto white balance, backlight compensation, WDR and auto/manual day & night switch, IP66
- Min. Illumination: 0.05Lux@F1.6(Color), 0.01Lux@F1.6(B/W), 3D DNR, dWDR
- 360° endless pan range and -5°-90° tilt range
- 300°/s Pan Preset Speed and 200°/s Tilt Preset Speed
- 0.1°-250°/s Manual Pan Speed and 0.1°-150°/s Manual Tilt Speed
- 256 presets programmable; preset image freezing capability
- 8 patrols, up to 32 presets per patrol Support dual-stream;H.264 /MPEG4
- Micro SD card local storage
- Multiple network protocols supported: IPv4/IPv6, HTTP, HTTPS, 802.1X, QoS, FTP, SMTP, UPnP, SNMP, DNS, DDNS, NTP, RTSP, RTP, TCP, UDP, IGMP, ICMP, DHCP, PPPoE



SPECIFICATION	SICH-2030
Camera	
Image Sensor	1/2.8" Progressive Scan CMOS
Effective Pixel	2230K pixels
Min. illumination	Color: 0.05 Lux@F1.6, B/W: 0.01 Lux@F1.6
White Balance	Auto / Manual /ATW/Indoor/Outdoor/Daylight lamp/Sodium lamp
AGC	Auto / Manual
S / N Ratio	≥ 52dB
3D DNR	Support
BLC	Support
HLC	Support
Wide Dynamic Range	Support
Shutter Time	1-1/10,000s
Day & Night	IR Cut Filter
Digital Zoom	16X
Privacy Mask	2 privacy masks programmable
Focus Model	Auto / Semiautomatic / Manual
Lens	
Focal Length	4.3-129mm, 30x
Zoom Speed	Approx.3s(Optical Wide-Tele)
Angle of View	65.1-2.34 degree (Wide-Tele)
Min. Working Distance	10-1500mm(Wide-Tele)
Aperture Range	F1.6-F5.0
Pan and Tilt	
Pan / Tilt Range	Pan: 360° endless; Tilt: -5°~90° (Auto Flip)
Pan / Tilt Speed	Pan Manual Speed: 0.1° ~250°/s, Pan Preset Speed: 300°/s Tilt Manual Speed: 0.1° ~150°/s, Tilt Preset Speed: 200°/s
Proportional Zoom	Rotation speed can be adjusted automatically according to zoom multiples
Number of Preset	256
Patrol	8 patrols, up to 32 presets per patrol
Power-off Memory	Support
Park Action	Pattern/Pan scan/Tilt scan/Frame scan/Panorama scan/Random scan
PTZ Position Display	On / Off
Preset Freezing	Support
Scheduled Task	Preset / Patrol / Pattern / Pan scan / Tilt scan / Random scan / Frame scan / Panorama scan/Dome reboot/Self-test action
Input/ Output	
Audio Input	1 Mic in/Line in interface Line input: 2-2.4V[p-p]; output impedance: 1KΩ, ±10%
Audio Output	1 Audio output interface; Line level, impedance: 600Ω
Network	
Ethernet	10Base-T / 100Base-TX, RJ45 connector
Max. Image Resolution	1920x1080
Frame Rate	50Hz: 25 fps (1920x1080), 25 fps (1280x960) , 25 fps (1280x720) 60Hz: 30 fps (1920x1080), 30 fps (1280x960) , 30 fps (1280x720)
Image Compression	H.264/MJPEG
ROI encoding	Support 2 areas with adjustable levels
Audio Compression	G.711ulaw/G.711alaw/G.726/MP2L2
Protocols	IPv4/IPv6,HTTP,HTTPS,802.1X,QoS,FTP,SMTP,UPnP,SNMP,DNS,DDNS ,NTP,RTSP,RTP,TCP,UDP,IGMP,ICMP,DHCP,PPPoE
Number of Simultaneous Live View	Up to 6
Dual Streams	Support
Mini SD Memory Card	Micro SD Slot, up to 32GB
User/Host Level	Up to 32 users,3 Levels: Administrator, Operator and User
Security Measures	User auth. (ID and PW), Host auth. (MAC address), Op. and User
System Integration	
Interface for application programming	Open-ended API, support Onvif, PSIA and CGI
Client	Support MAZi VMS-A1
Web Browser	IE7+, Chrome18 +, Firefox5.0 +, Safari5.02 +
Power	24VAC(-A model); 24 VAC/PoE+(-AE model) Max. 22W (Heater On) Max. 14W(Heater Off)
Working Temperature / Humidity	-30°C-65°C(-22°F-149°F)(outdoor dome) / -10°C-50°C(14°F-122°F) (indoor dome); 90% or less
Protection Level	IP66 standard (outdoor dome); TVS 4,000V lightning protection, surge protection and voltage transient protection
Mounting	Various mounting modes optional
Dimensions	Φ220x305mm (Outdoor) Φ183.4x243mm (Indoor) Φ245x236mm (In-ceiling)
Weight (approx.)	5Kg



DIMENSIONS (mm)



Unit: mm